

Identification System

3.1.1

#	Revision	Date

Series 100 - Terminals

Sign No.	Description
101 - 150	Directional
151 - 180	Identification
181 - 199	Informational

Series 200 - Curbside

Sign No.	Description
201 - 250	Directional
251 - 280	Identification
281 - 299	Informational

Series 300 - Parking

Sign No.	Description
301 - 350	Directional
351 - 380	Identification
381 - 399	Informational

Series 400 - Roadways

Sign No.	Description
401 - 450	Directional
451 - 480	Identification
481 - 499	Informational

Series 500 - Airport Services Buildings

Sign No.	Description
501 - 550	Directional
551 - 580	Identification
581 - 599	Informational

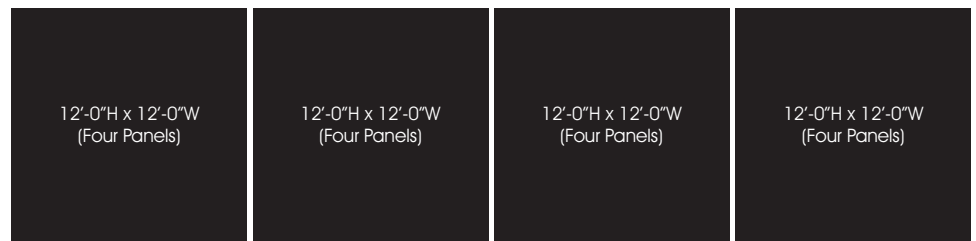
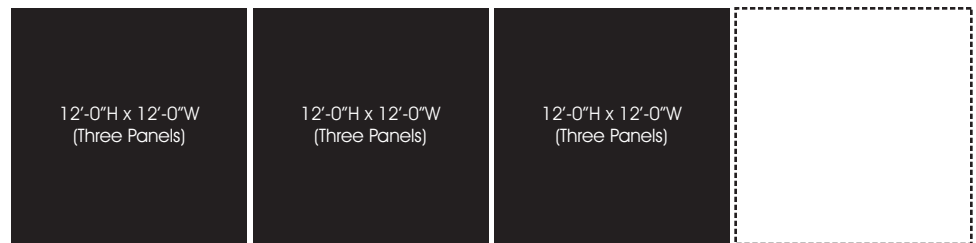
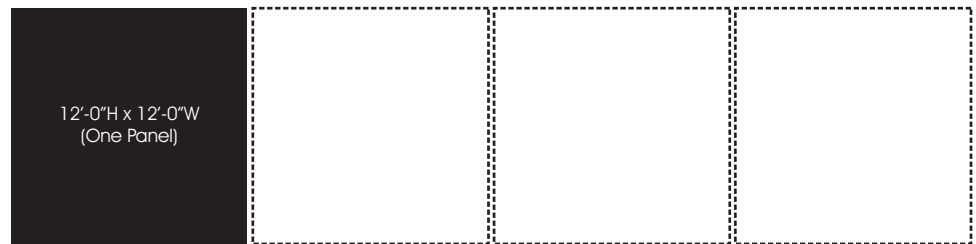
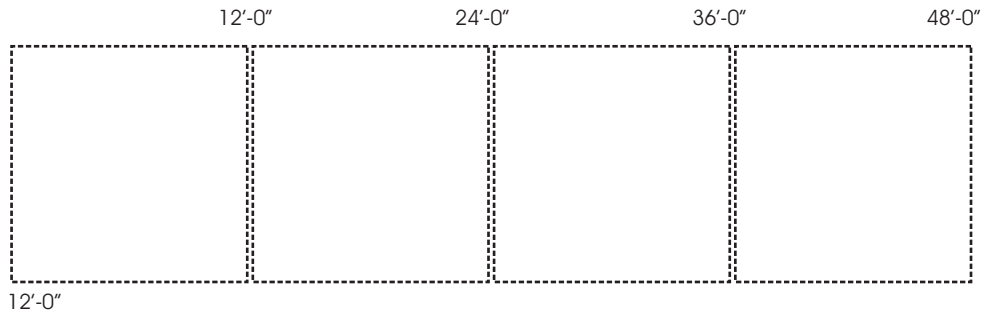
3.0 SIGN TYPES - ROADWAYS



Directional - Primary

3.2.1

#	Revision	Date



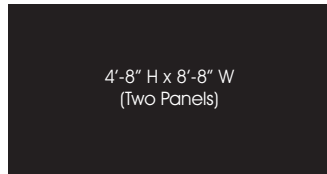
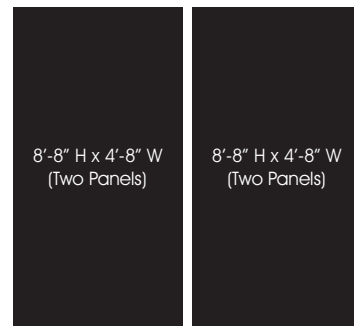
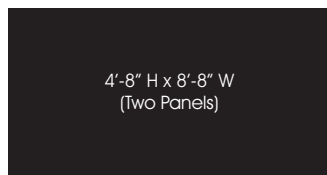
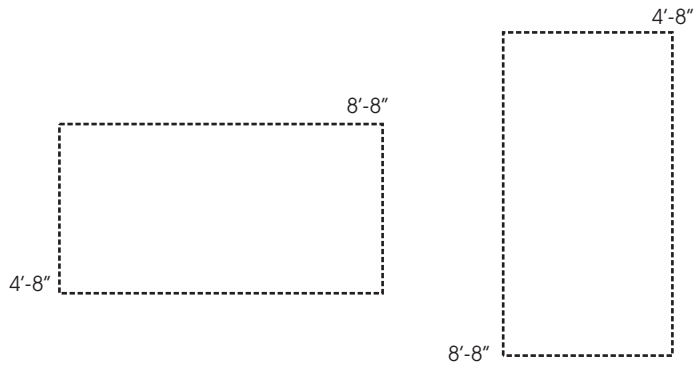
3.0 SIGN TYPES - ROADWAYS



Directional - Secondary

3.2.2

#	Revision	Date



3.0 SIGN TYPES - ROADWAYS



Identification - Primary

3.2.3

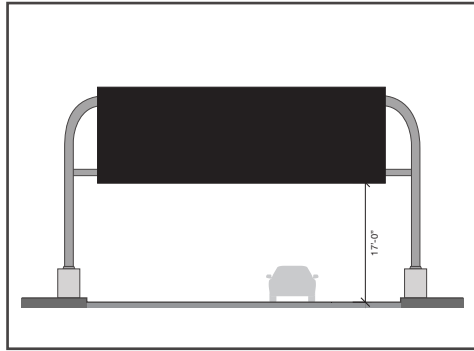
#	Revision	Date



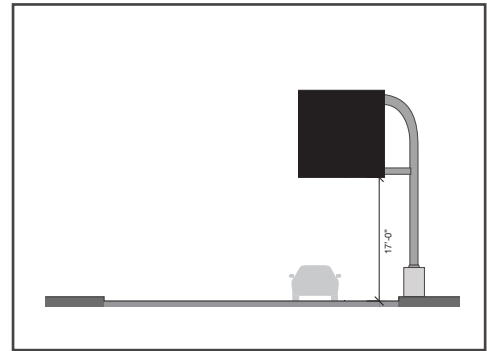
Directional - Primary

3.3.1

#	Revision	Date



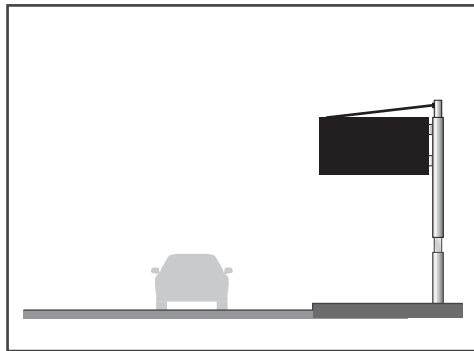
OVERHEAD MOUNTED



CANTILEVER MOUNTED

Directional - Secondary

3.3.2



POST MOUNTED

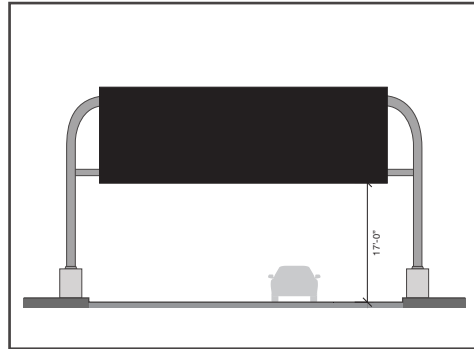
3.0 SIGN TYPES - ROADWAYS



Identification - Primary

3.3.3

#	Revision	Date



OVERHEAD MOUNTED