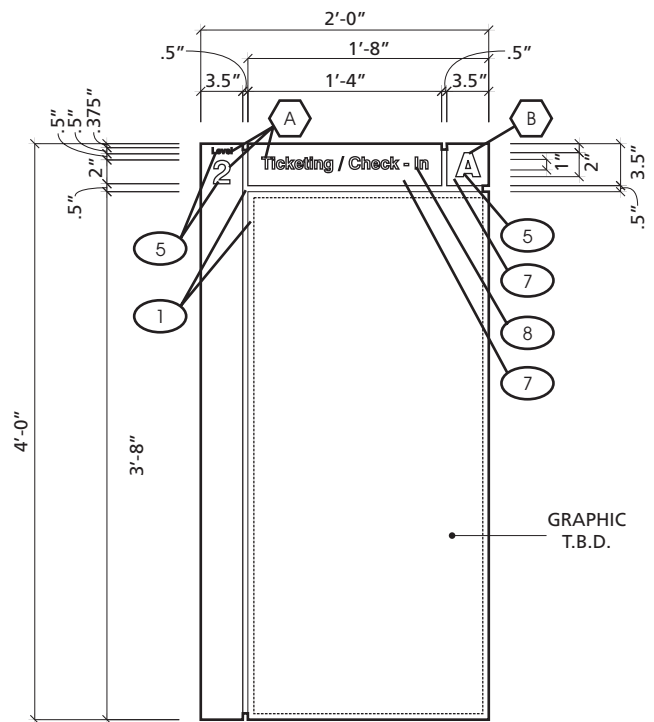
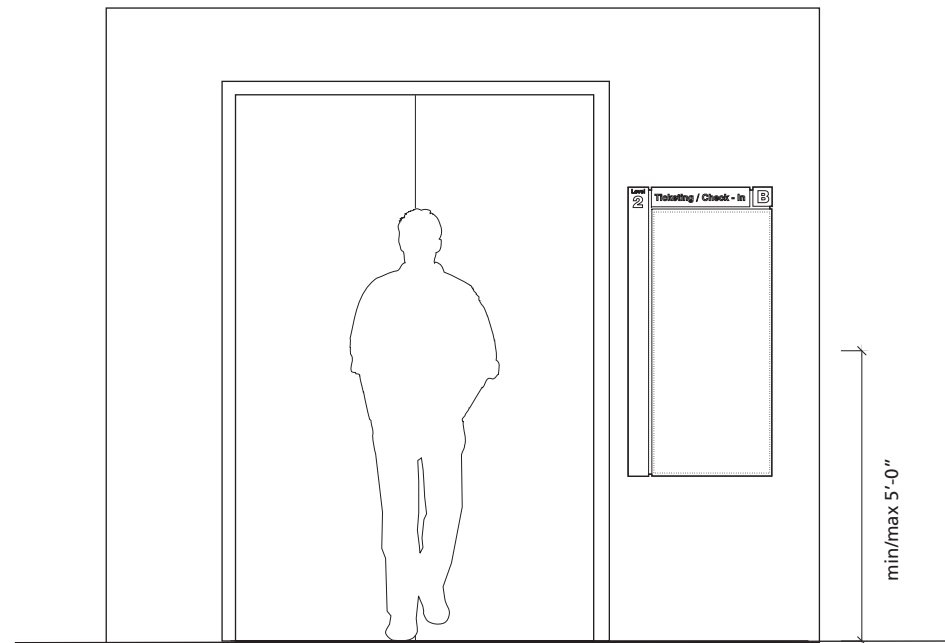


| # | Revision | Date |
|---|----------|------|
| | | |
| | | |
| | | |
| | | |
| | | |
| | | |
| | | |
| | | |
| | | |
| | | |



SIGN FACE LAYOUT
Scale: 3/4"=1'-0"



ELEVATION
Scale: N.T.S.



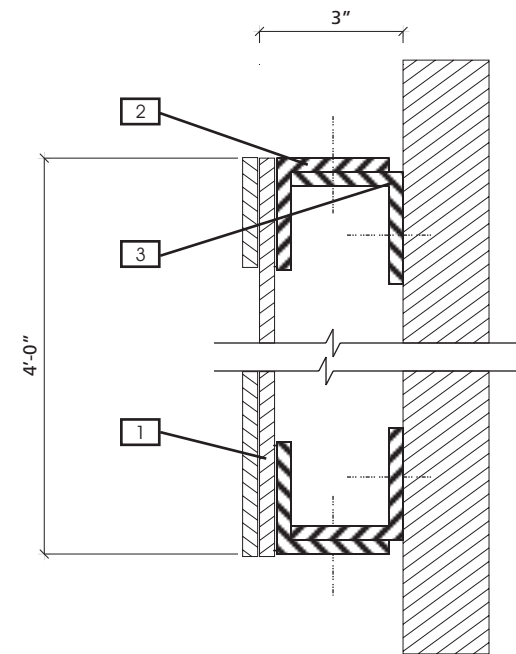
SIGN FACE LAYOUT - OPTION B
Scale: 1 1/2"=1'-0"



SIGN FACE LAYOUT - OPTION C
Scale: 1 1/2"=1'-0"



SIGN FACE LAYOUT - OPTION D
Scale: 1 1/2"=1'-0"



DETAIL (For Design Intent Only)
Scale: N.T.S.

Wall mount - Informational **ST - 181**

DESCRIPTION: Wall mount - Elevator directory.

LOCATION: Terminals. Used at elevator locations.

MATERIALS: Extruded aluminum sign face structure with removable face panel.

LETTERING:
 A Swiss721 BT Bold
 B Swiss721 Blk BT

SYMBOLGY: (Refer to Section 2.2.2)

COLORS:
 1 Background: 3M Opaque Film #7725-12 or approved equal (Black)
 2 Text: N/A
 3 Band: N/A
 4 Symbol: N/A
 5 Letter: 3M Opaque Film #220-10 (White) or approved equal
 6 Letter box: N/A
 7 Header/Side Panel:
 Terminal A 3M#230/230-127 (Intense Blue)
 Terminal B 3M#230/230-33 (Red)
 Terminal C 3M#230/230-26 (Green)
 Terminal D 3M#220-98 (Dark Violet)
 8 Header Text: N/A

GRAPHICS: Final directory artwork by others.

ARROWS: N/A

MOUNTING: Wall mount.

ILLUMINATION: Sign will be non-illuminated.

REMARKS: Refer to Section 2.5 for vinyl specifications.

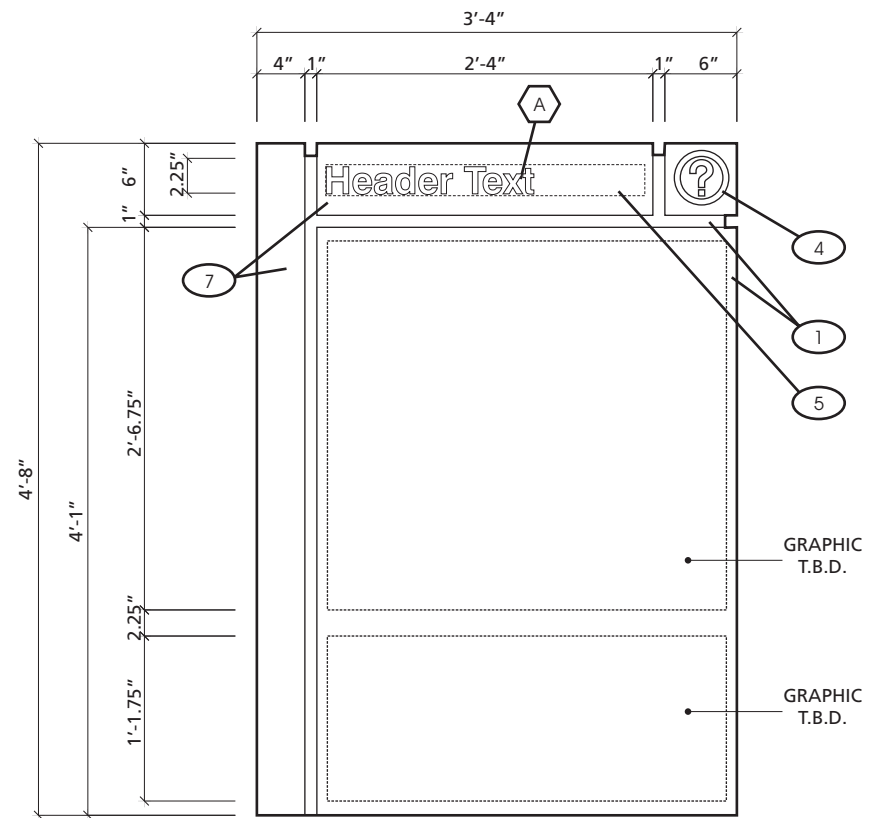
NOTES:

- 1 .125" aluminum panel secured to angle frame.
- 2 1"x1"x.125" aluminum angle frame.
- 3 1"x1"x.125" aluminum mounting bracket.

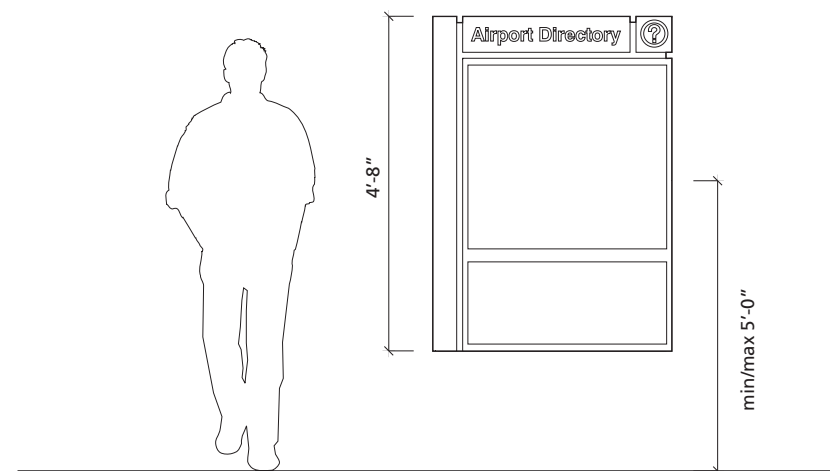
Informational-Primary/Secondary **3.5.3**



| # | Revision | Date |
|---|----------|------|
| | | |
| | | |
| | | |
| | | |
| | | |
| | | |
| | | |
| | | |
| | | |
| | | |



SIGN FACE LAYOUT
Scale: 3/4"=1'-0"



ELEVATION
Scale: N.T.S.



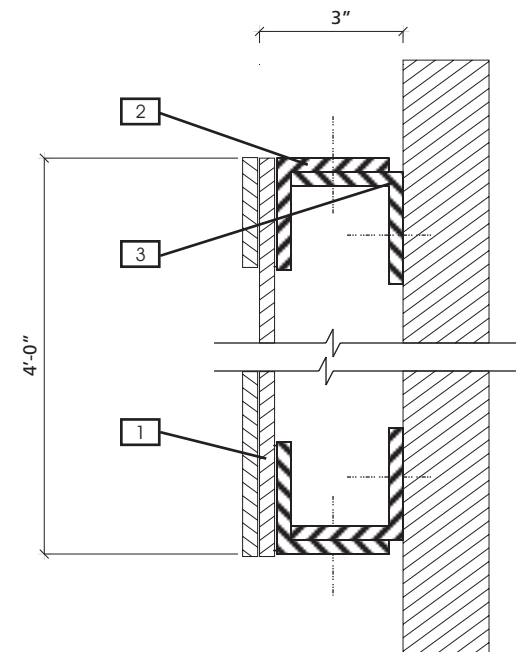
SIGN FACE LAYOUT - OPTION A



SIGN FACE LAYOUT - OPTION B



SIGN FACE LAYOUT - OPTION C



DETAIL (For Design Intent Only)
Scale: N.T.S.

Wall mount - Informational **ST - 182**

DESCRIPTION: Wall mount - Airport directory.

LOCATION: Terminals. Primary circulation corridors parallel to the main pedestrian traffic flow.

MATERIALS: Extruded aluminum sign face structure with removable face panel.

LETTERING:
A Swiss721 BT Bold
B N/A

SYMBOLGY: (Refer to Section 2.2.2)

COLORS:
1 Background: 3M Opaque Film #7725-12 or approved equal (Black)
2 Text: N/A
3 Band: N/A
4 Symbol: N/A
5 Letter: 3M Opaque Film #220-10(White) or approved
6 Letter box: N/A
7 Header/Side Panel:
Terminal A 3M#230/230-127 (Intense Blue)
Terminal B 3M#230/230-33 (Red)
Terminal C 3M#230/230-26 (Green)
Terminal D 3M#220-98 (Dark Violet)
8 Header Text: N/A

GRAPHICS: Final directory artwork by others.

ARROWS: N/A

MOUNTING: Wall mount.

ILLUMINATION: Sign will be non-illuminated.

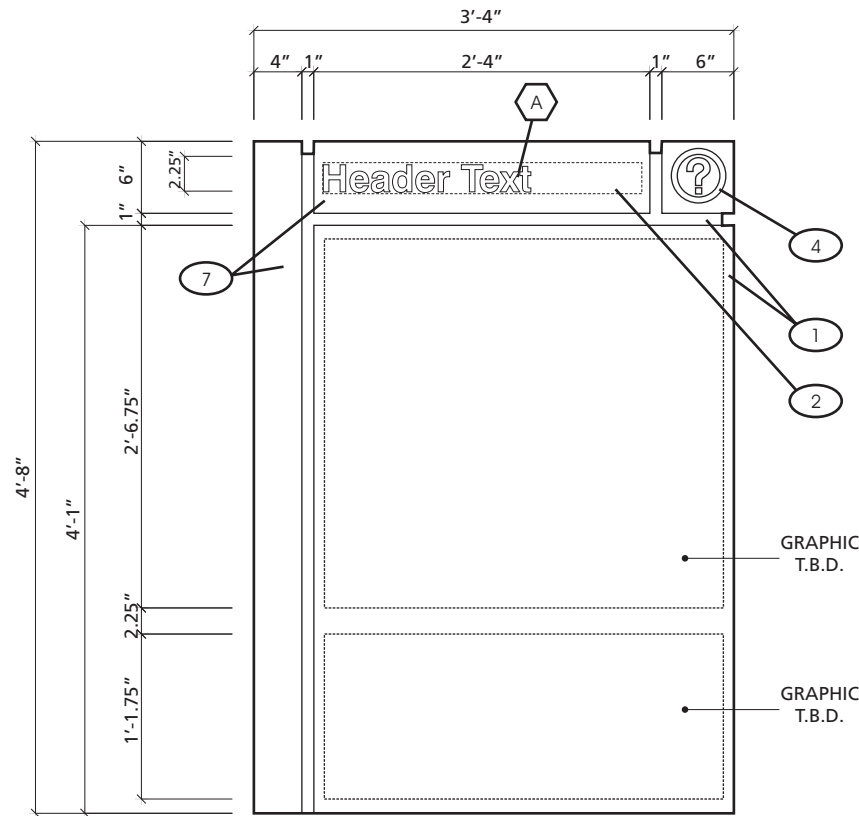
REMARKS: Refer to Section 2.5 for vinyl specifications.

NOTES:
1 .125" aluminum panel secured to angle frame.
2 1"x1"x.125" aluminum angle frame.
3 1"x1"x.125" aluminum mounting bracket.

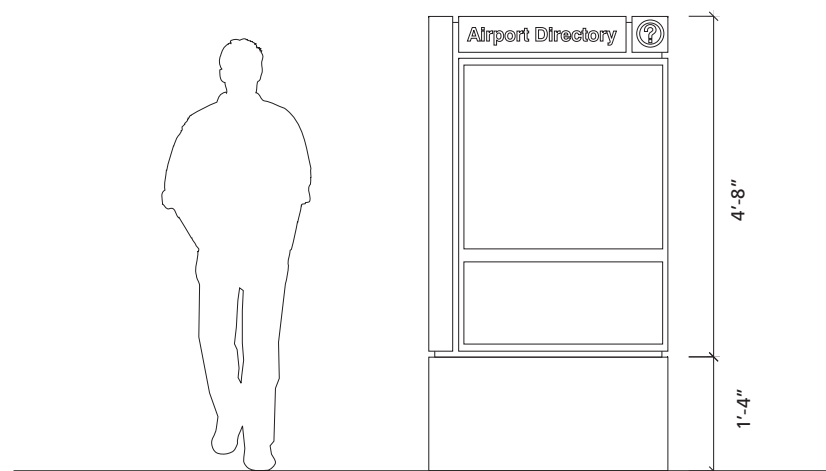
Informational-Primary/Secondary **3.5.3**



| # | Revision | Date |
|---|----------|------|
| | | |
| | | |
| | | |
| | | |
| | | |
| | | |
| | | |
| | | |
| | | |
| | | |



SIGN FACE LAYOUT
Scale: 3/4"=1'-0"



ELEVATION
Scale: N.T.S.



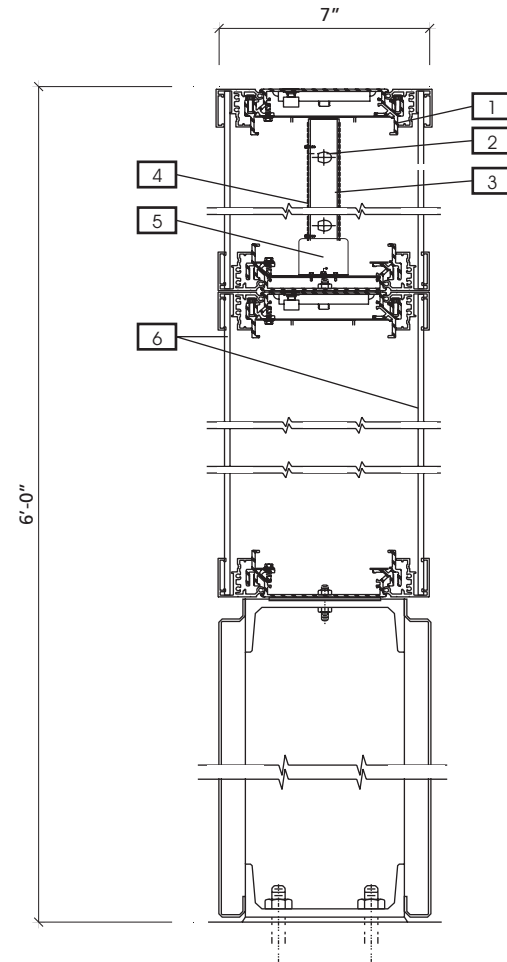
SIGN FACE LAYOUT - OPTION A



SIGN FACE LAYOUT - OPTION B



SIGN FACE LAYOUT - OPTION C



DETAIL (For Design Intent Only)
Scale: N.T.S.

Floor mount - Informational **ST - 183**

DESCRIPTION: Floor mount - Airport directory.

LOCATION: Terminals. Primary circulation corridors parallel to the main pedestrian traffic flow.

MATERIALS: Extruded aluminum sign face structure with removable face panel.

LETTERING:
 A Swiss721 BT Bold
 B N/A

SYMBOLGY: (Refer to Section 2.2.2)

COLORS:
 1 Background: 3M Opaque Film #7725-12 or approved equal (Black)
 2 Text: Translucent Acrylic (White)
 3 Band:
 4 Symbol: Translucent Acrylic (White)
 5 Letter: N/A
 6 Letter box: N/A
 7 Header/Side Panel:
Terminal A 3M#230/230-127 (Intense Blue)
Terminal B 3M#230/230-33 (Red)
Terminal C 3M#230/230-26 (Green)
Terminal D 3M#220-98 (Dark Violet)
 8 Header Text: N/A

GRAPHICS: Final directory artwork by others.

ARROWS: N/A

MOUNTING: Floor mount.

ILLUMINATION: Sign will be internally illuminated.

REMARKS: Refer to Section 2.5 for vinyl specifications.

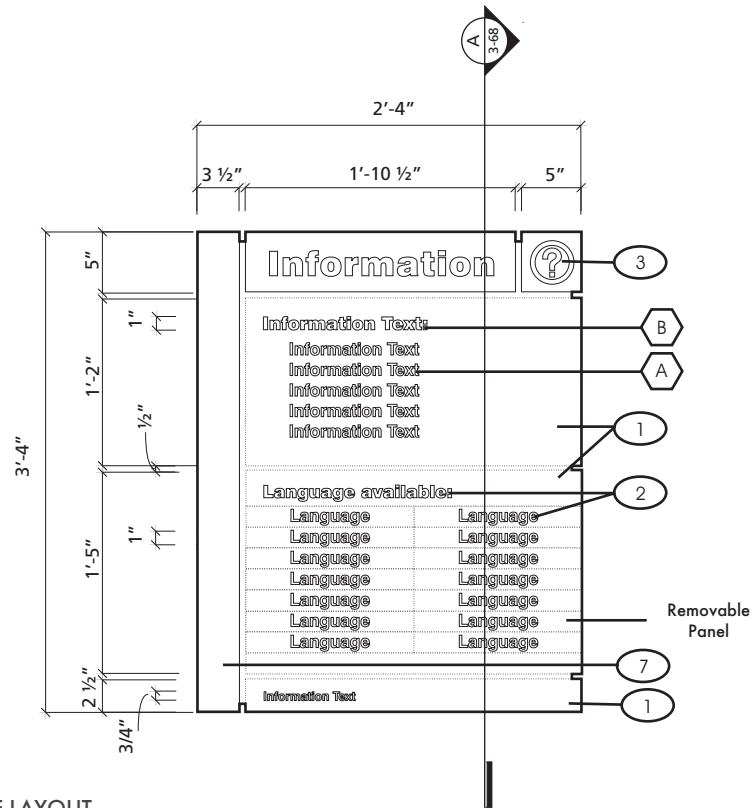
NOTES:

- 1 # 10-24 X 1/2"SS SCS hinge screw drill by 5/16" Dia. Use reference scoring 8" from ends typical
- 2 D-Punch for floor sockets
- 3 2" X 2" X 1/8" alum channel raceway, socket support welded to base plate mtd. To frame w/ #8 X 1/2" SS TEK DP SMS
- 4 O40" alum formed raceway cover, socket Support
- 5 Panduit ABM25-A-C cable tie pad in raceway with panduit PLIM-C ZIP TIE 1/8" WIDE x 7/8"
- 6 Ballast France 688 DR
3/16" signwhite polycarb faces mounted w/ 3M 4930 VHB FT

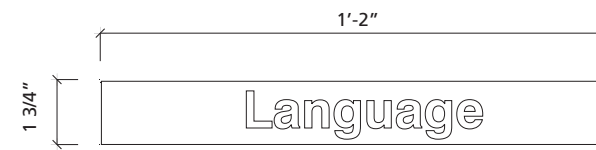
Informational-Primary/Secondary **3.5.3**



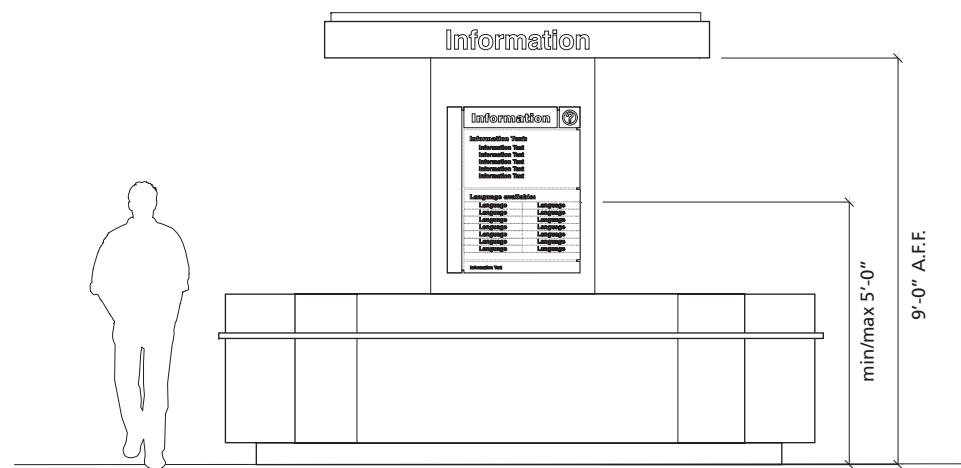
| # | Revision | Date |
|---|----------|------|
| | | |
| | | |
| | | |
| | | |
| | | |
| | | |
| | | |
| | | |
| | | |
| | | |



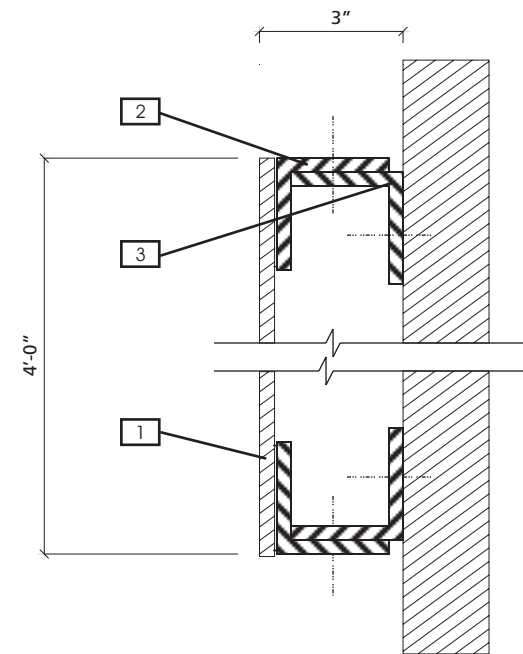
SIGN FACE LAYOUT
Scale: 3/4"=1'-0"



REMOVABLE PANEL - DETAIL
Scale: N.T.S.



ELEVATION
Scale: N.T.S.



DETAIL - Section A (For Design Intent Only)
Scale: N.T.S.

Wall Mount - Informational **ST - 184**

DESCRIPTION: Informational Directory.

LOCATION: Terminal Information Booths.

MATERIALS: Extruded aluminum sign face structure with removable face panel.

LETTERING:
 A Swiss 721 BT Bold
 B Swiss 721 Blk BT

SYMBOLGY: (Refer to Section 2.2.2)

COLORS:
 1 Background: 3M Opaque Film #7725-12 or approved equal (Black)
 2 Text: 3m Opaque Film #220-10 (White)
 3 Header: Grey PMS 425 (Grey)
 4 Symbol: Opaque Acrylic (White)
 5 Letter: N/A
 6 Letter box: N/A
 7 Header/Side Panel:
 Terminal A 3M#230/230-127 (Intense Blue)
 Terminal B 3M#230/230-33 (Red)
 Terminal C 3M#230/230-26 (Green)
 Terminal D 3M#220-98 (Dark Violet)
 8 Header Text: N/A

GRAPHICS: N/A

ARROWS: N/A

MOUNTING: Pending.

ILLUMINATION: Sign will be non-illuminated.

REMARKS: Refer to Section 2.5 for vinyl specifications.

NOTES:
 1 .125" aluminum panel secured to angle frame.
 2 1"x1"x.125" aluminum angle frame.
 3 1"x1"x.125" aluminum mounting bracket.

Informational-Primary/Secondary **3.5.3**

