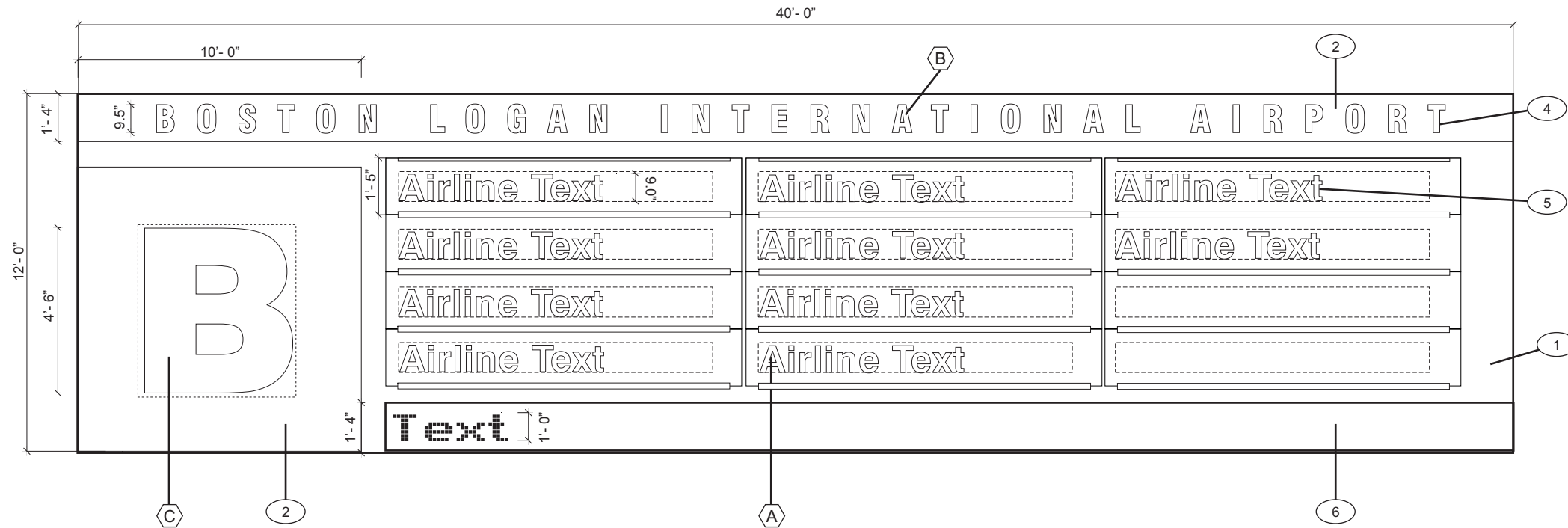


#	Revision	Date



SIGN FACE LAYOUT

Scale: 1/4" = 1'-0"

Airline Listing - Roadways ST - 451

DESCRIPTION: Overhead airline listing

LOCATION: Roadways perpendicular to vehicular traffic.

MATERIALS: Aluminum sign face with reflective vinyl.

LETTERING:

- Ⓐ Swiss721 BT Bold
- Ⓑ Swiss721 Condensed BT Bold
- Ⓒ Swiss721 Blk BT

SYMBOLGY: (Refer to Section 2.2.2)

COLORS:

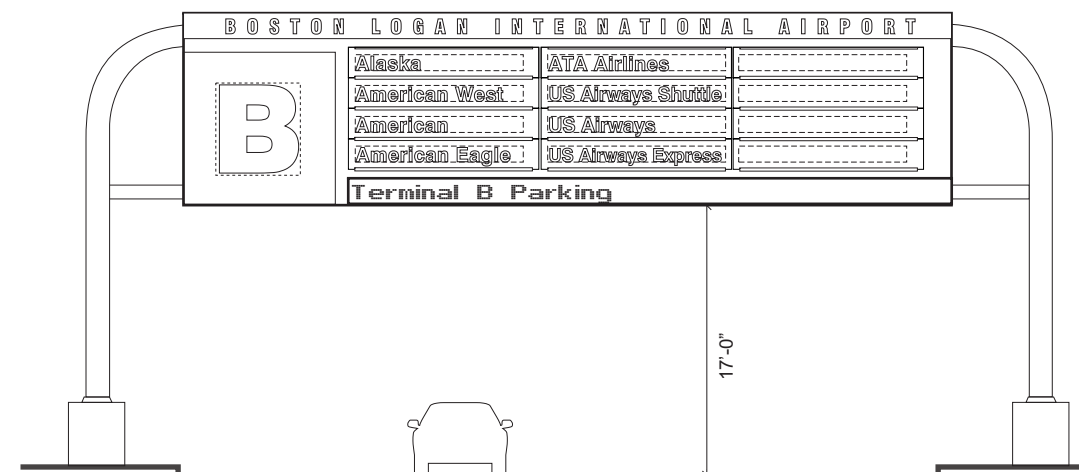
- ① Background: Paint Matthew's #78A-1A Jet Black
- ② Terminal I.D:
Terminal A 3M#230/230-127 (Intense Blue)
Terminal B 3M#230/230-33 (Red)
Terminal C 3M#230/230-26 (Green)
Terminal D 3M#220-98 (Dark Violet)
- ③ Header: Brushed Aluminum
- ④ Text: 3M reflective film #680-85 (black)
- ⑤ Text: 3M reflective film #3990 (white)
- ⑥ VMS

GRAPHICS: N/A

ARROWS: N/A

MOUNTING: Overhead.

ILLUMINATION: Sign will be Externally Illuminated.



Note: See page 3-38 for attachment methods.

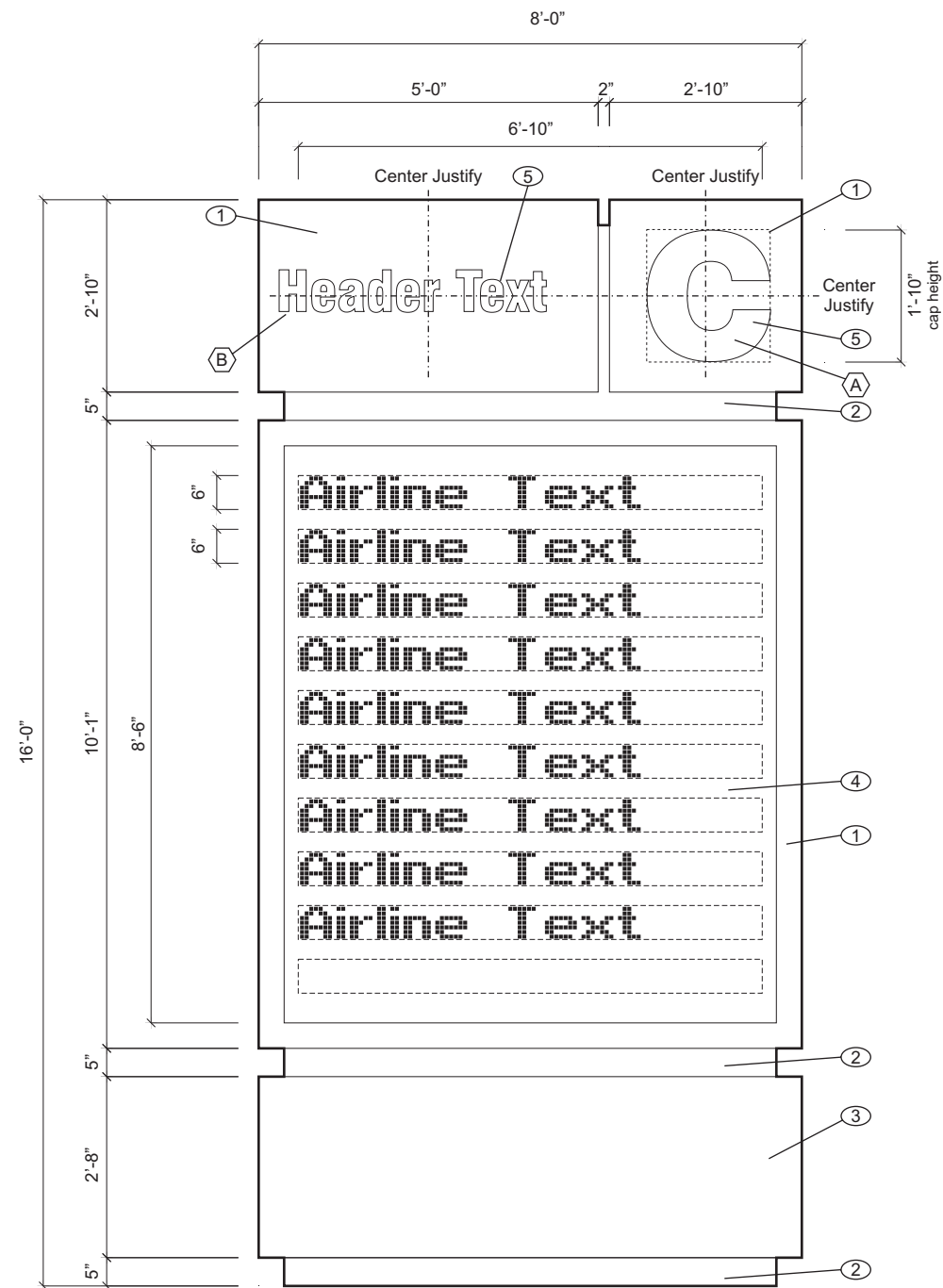
ELEVATION

Scale: N.T.S.

Identification Signs - Primary 3.5.2

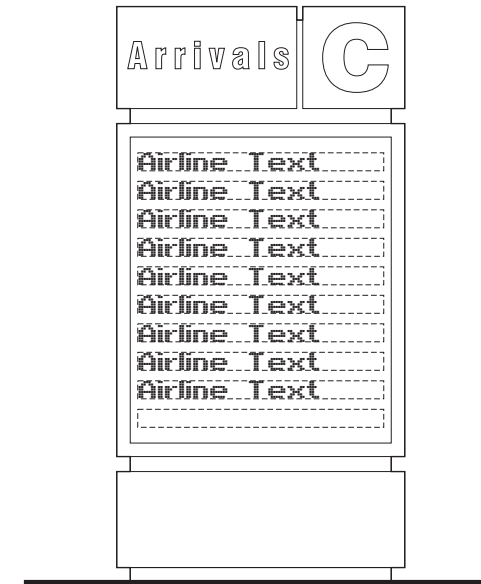


#	Revision	Date



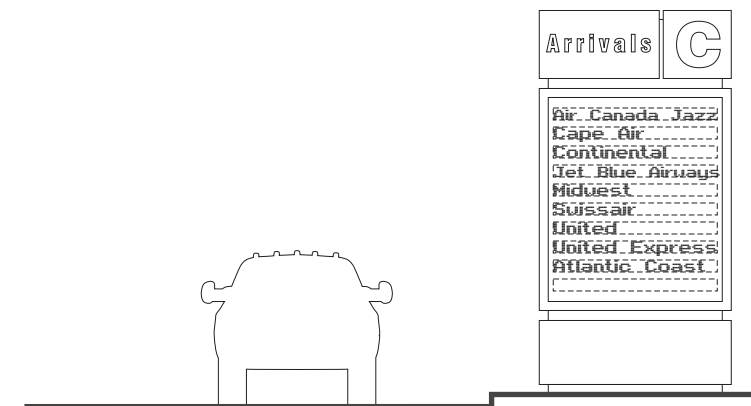
SIGN FACE LAYOUT - OPTION A (Dynamic - Departures)

Scale: 3/8" = 1'-0"



SIGN FACE LAYOUT - OPTION A (Dynamic - Arrivals)

Scale: 3/16" = 1'-0"



ELEVATION

Scale: 1/8" = 1'-0"

Airline Listing - Roadways/ Curbside **ST - 452**

DESCRIPTION: Roadways/ Curbside Airline Listing

LOCATION: Curbside perpendicular to vehicular traffic.

MATERIALS: See details.

LETTERING:
 (A) Swiss721 BT Bold
 (B) Swiss721 Blk BT

SYMBOLGY: (Refer to Section 2.2.2)

COLORS:
 (1) Terminal I.D:
 Terminal A 3M#230/230-127 (Intense Blue)
 Terminal B 3M#230/230-33 (Red)
 Terminal C 3M#230/230-26 (Green)
 Terminal D 3M#220-98 (Dark Violet)
 (2) Background: Dark Grey paint to match PMS #432C
 (3) Face Edge: Brushed aluminum
 (4) Background: VMS
 (5) Text: White Acrylic

GRAPHICS: N/A

ARROWS: N/A

MOUNTING: Pylon.

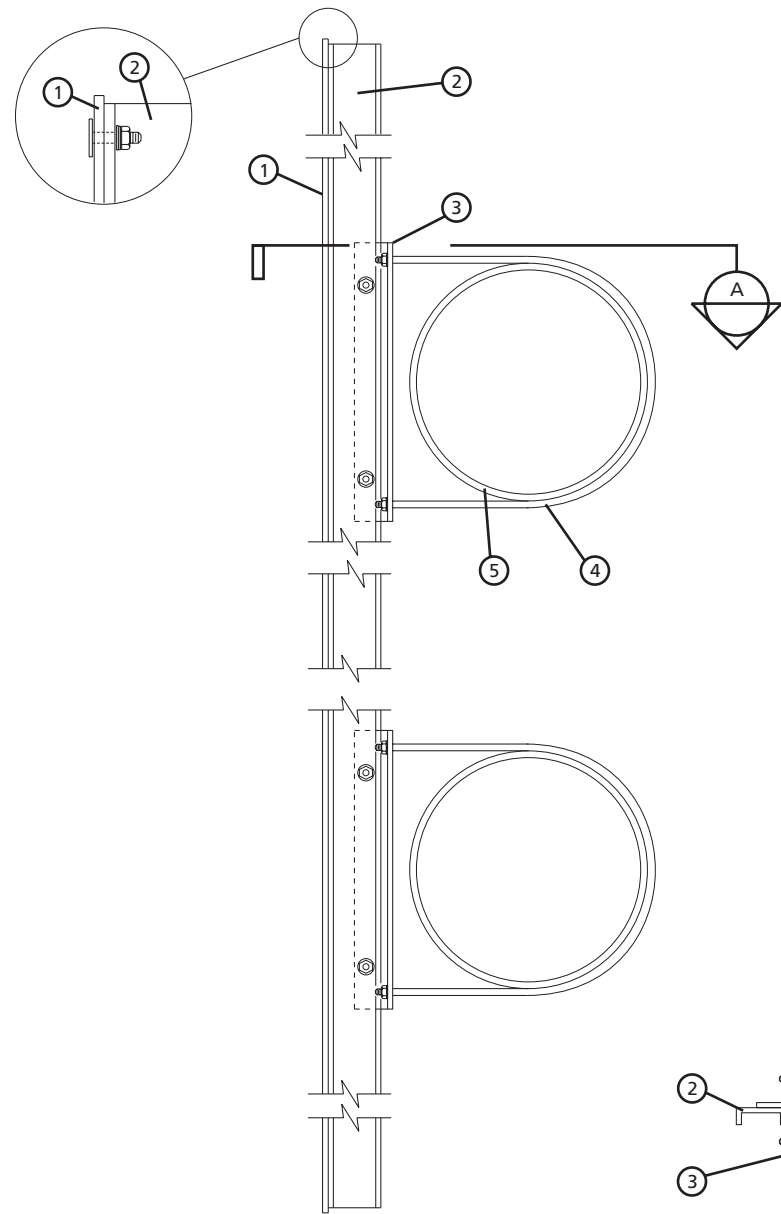
ILLUMINATION: Sign will be Illuminated.

NOTE: Please refer to following pages for alternate layouts.

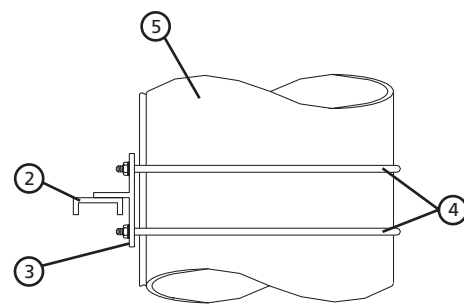
Identification Signs **3.5.2**



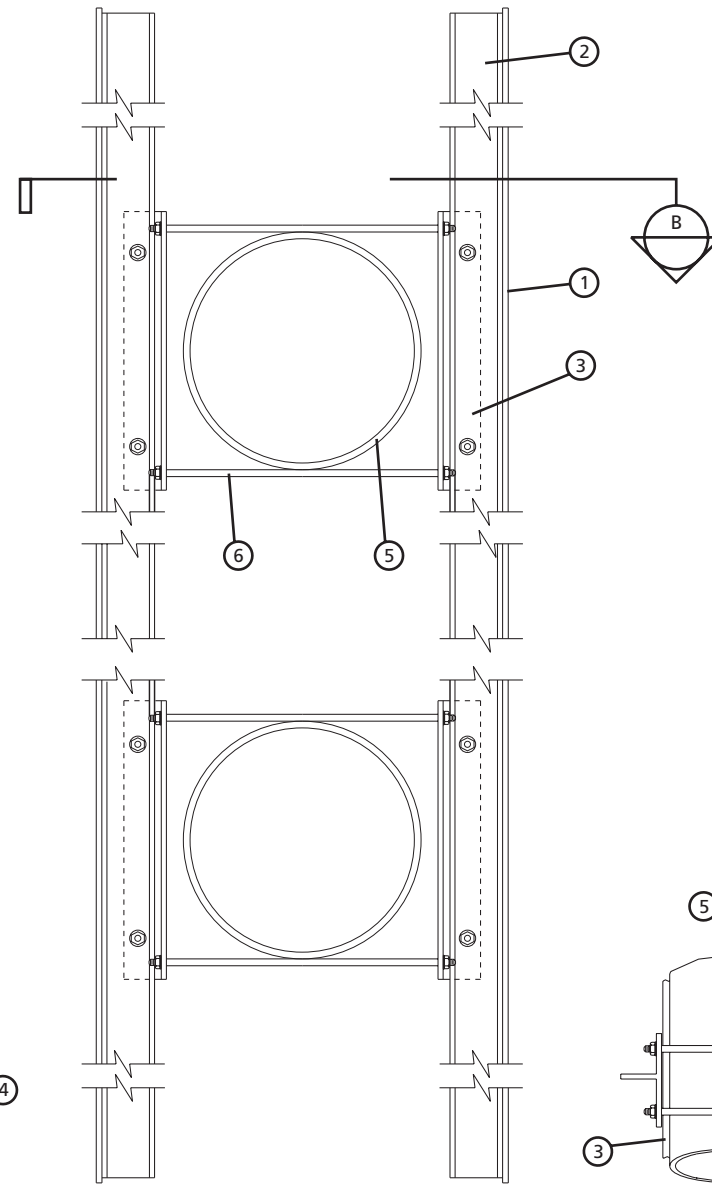
#	Revision	Date



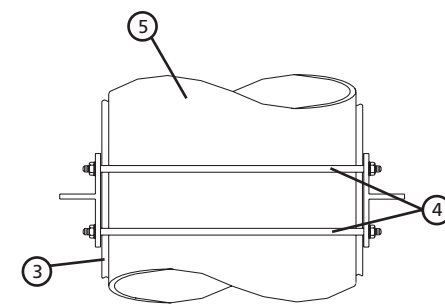
SINGLE PANEL
Scale: N.T.S.



SECTION A
Scale: N.T.S.



DOUBLE PANEL
Scale: N.T.S.



SECTION B
Scale: N.T.S.

ST-401 to ST-407 DETAILS
ST-451 DETAILS

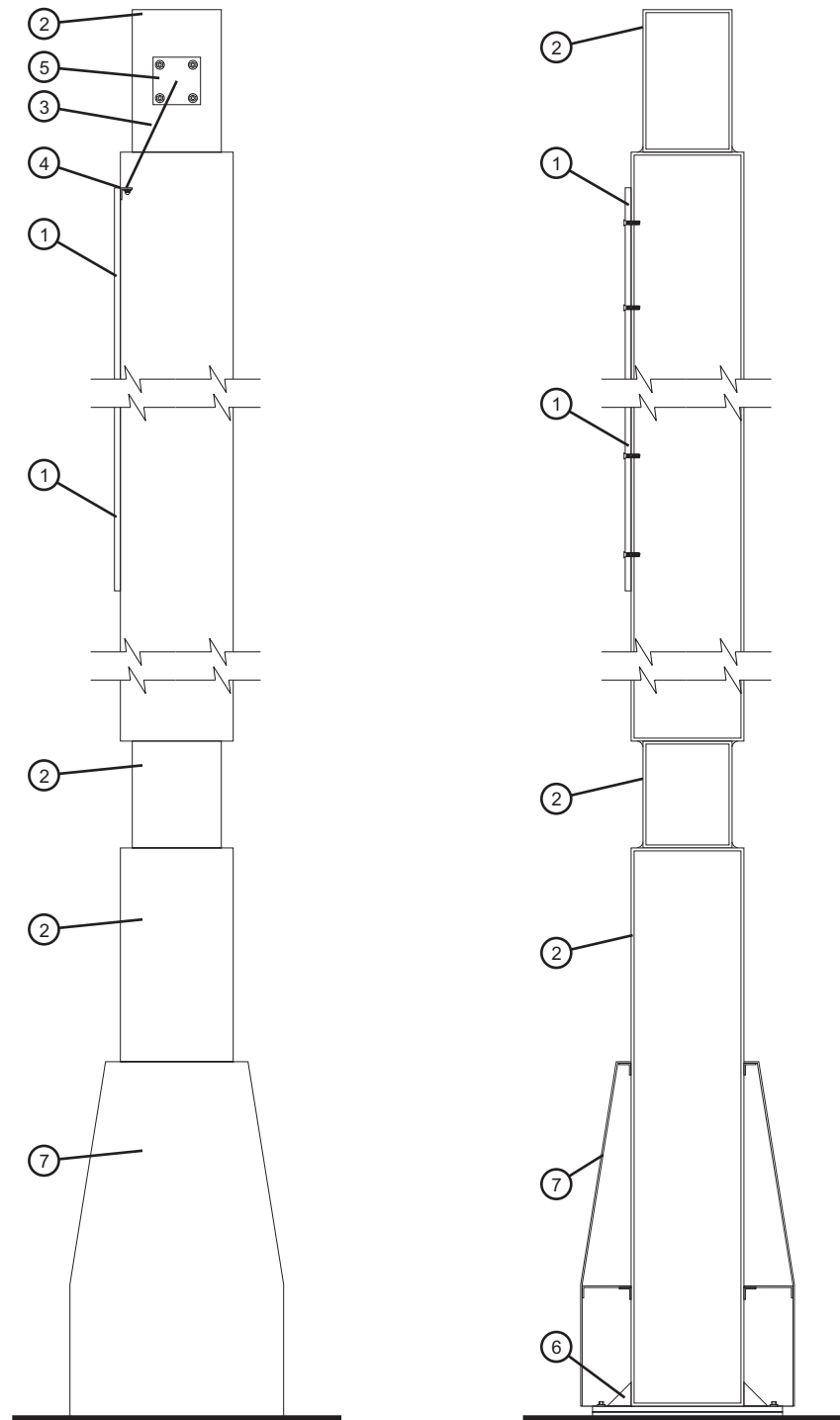
1. Aluminum sign face bolt attach as shown.
2. Aluminum "U" channel.
3. Aluminum "T" flange.
4. Curved steel threaded rod collar. Attach as shown.
5. Existing structure tube.
6. Straight steel threaded rod. Attach as shown.

NOTE:
 . For details not shown or noted see "SINGLE PANEL".
 . Assembly details shown apply to tangent portion of pipe only.
 For mounting bracket on elbow see "DETAIL B".

#	Revision	Date

ST-410 DETAIL

1. Aluminum sign face bolt attach as shown.
2. Aluminum post.
3. Aluminum aircraft cable.
4. Aluminum angle.
5. Aluminum collar plate, mechanically attach.
6. Match Plate and flanges.
7. Aluminum cladding.



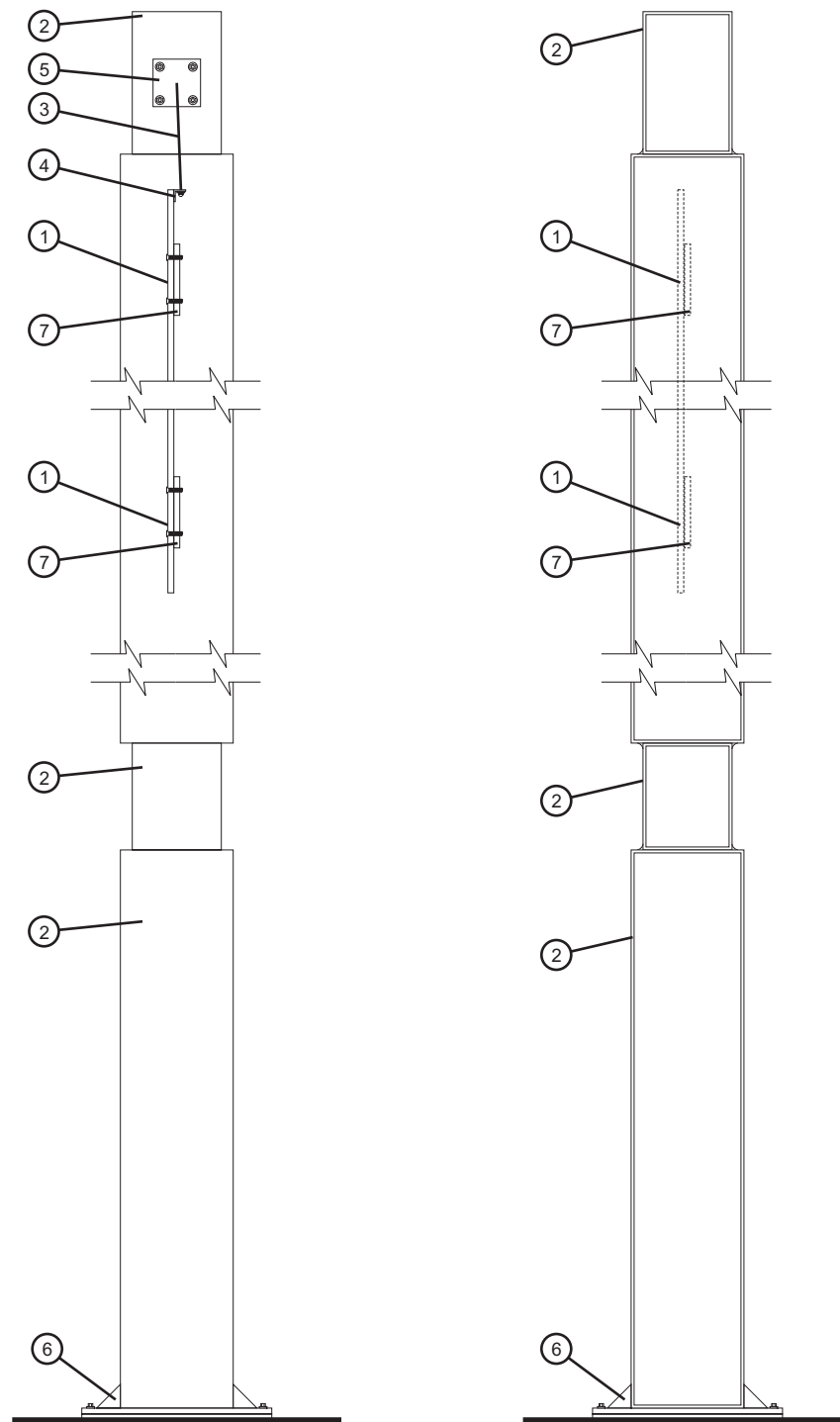
ELEVATION
Scale: 1 1/2" = 1'-0"



#	Revision	Date

ST-411 to ST-418 DETAIL

1. Aluminum sign face bolt attach as shown.
2. Aluminum post.
3. Aluminum aircraft cable.
4. Aluminum angle.
5. Aluminum collar plate, mechanically attach.
6. Match Plate and flanges.
7. Aluminum arm.



ELEVATION
Scale: 1 1/2" = 1'-0"

